

HDMI KVM 4*1 DUAL DISPLAY SWITCH

USER MANUAL

P/N: KM1704

1. Description

HDMI KVM switch four groups of high-definition Audio and video source and USB interface implementation free switch, Adaptive EDID, can adapt to a variety of complex application environments. The equipment has excellent image processing and transmission capacity, make the output signal is more smooth and steady, is a reliable, high performance and efficient way of HDMI USB switch.

2. Features

- The four groups of HD audio ,video source and USB interface choose to four free switch;
- Support video resolution max up to 3840x2160@30Hz;
- Compliance with HDMI 1.4 and HDCP 1.2 standard;
- Support USB2.0 protocol;
- Adaptive EDID , able to adapt to a variety of complex application environment;
- Hot key switch, convenient and quick(Ctrl + Ctrl + 1、 2、 3、 4);
- High compatibility, can auto-match source and display device;
- Built-in automatic adjustment system, make the image smooth, clear and stable;
- Built-in ESD protection system;
- Easy to install, plug and play;

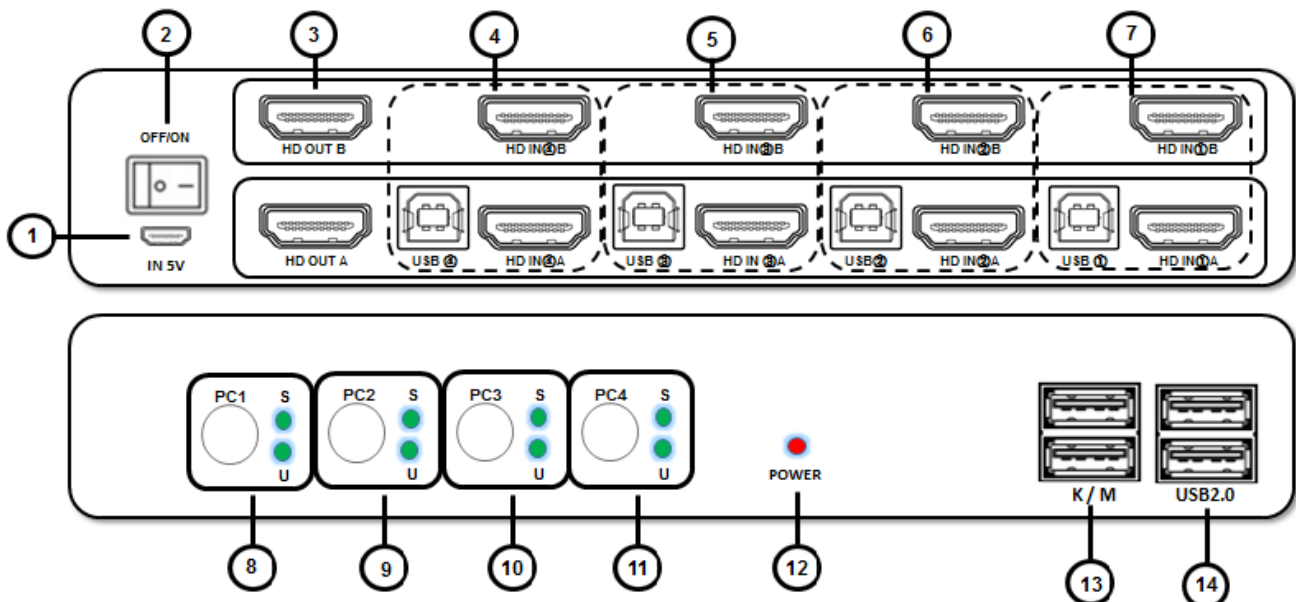
3. Package list

- | | |
|----------------------------|-------|
| ● HDMI KVM4*1Switcher host | 1 pcs |
| ● USB Cable | 4 pcs |
| ● HDMI Cable | 8 pcs |
| ● Micro USB Cable | 1 pcs |
| ● User manual | 1 pcs |

4. Specifications

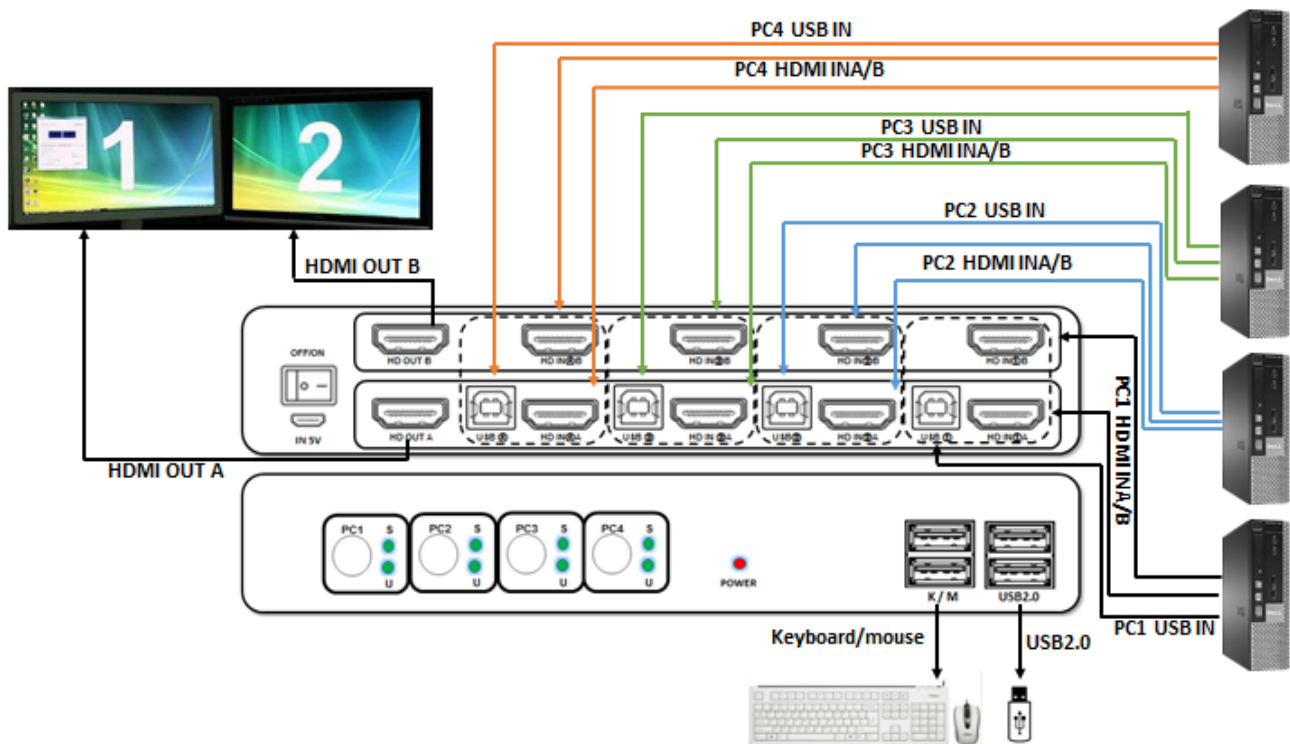
	Parameter	Description
Video	Standards	HDMI 1.4
	Maximum pixel clock	225MHz
	Maximum data rate	10.2Gbps
	Resolution range	Up to 3840x2160@30Hz, 1920*1080@60Hz
	Connector	HDMI-A Interface
	Impedance	100Ω
	HDMI Cable Range	<5M(Resolution: 1920*1080@60Hz)
USB	Interface protocols	USB1.1(2 pcs), USB2.0(2pcs)
	PC input interface type	USB-B
	Output interface type	USB-A
Other	Power supply	USB-B 5V power supply
	Power dissipation	MAX 6.5W
	Temperature	Operating: -5°C ~ +70°C
	Humidity	Operating: 5% ~ 90%
	Dimension	202*75*27mm
	The warranty	1 year free warranty

5. Panel



Port name	Description
1	5V power supply , for high power USB device
2	switch
3	HDMI video output signal
4~7	PC1 , PC2, PC3, PC4 groups HDMI USB input
8~11	PC1 , PC2, PC3, PC4 groups buttons and status indicators
12	Power indicators
13	USB keyboard mouse connectors
14	USB2.0 device connectors

6. Diagram



7. Warranty

Thank you very much for using our products.

The warranty time is one year and life-long maintenance. During this period, any belongs to under normal usage circumstance cause because of the product quality's problem of breakdown, our company will be responsible for giving free maintain.

Free maintain won't be given under the following circumstance:

- The malfunction and damaged caused by incorrect use, the unauthorized repairs and alteration;
- The damage caused by fire, flood, abnormal voltage, other natural disasters and secondary product damage;
- The product malfunction caused by not in accordance with the user manual operation;
- The malfunction and damaged caused by the other barriers(man-made factors or external device).