
KVM-EXTEND27

HDMI KVM Extender

User manual

1. Description

The extender provides extension of HDMI signals long distances over a single CAT6 cable, it supports high resolution up to 1080P, KVM signal transmission. The extender can be used for a wide range of applications requiring long distance transmission of high resolution with high quality by its good stability.

2. Features

- Transmits HDMI video and audio signals up to 200m over a single CAT6 cable;
- Support video resolution up to 1920*1080P@60Hz;
- Support keyboard and mouse;
- Support over TCP/IP;
- Compliance with HDMI 1.3 and HDCP 1.2 standard;
- High compatibility, can auto-match source and display device;
- Built-in automatic adjustment system, make the image smooth, clear and stable;
- Simple to install, plug and play.

3.Package list

- HDMI transmitter 1 pcs
- HDMI receiver 1 pcs
- MINI USB Cable 1 pcs
- Power adapter 2 pcs
- User manual 1 pcs

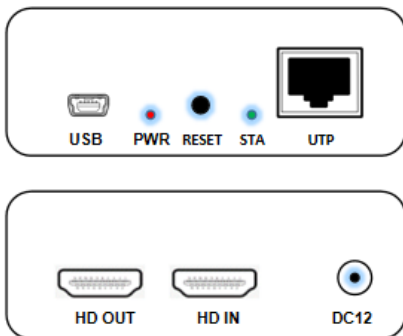
4. Specifications

Parameter		Description
Video	Standards	HDMI 1.3; HDCP 1.2
	Maximum pixel clock	165MHz
	Maximum data rate	6.75Gbps
	Resolution	1920X1080P@60Hz
	Connector	HDMI-A
	Impedance	100Ω
USB	Interface	USB: Mini USB interface is connected to PC K/M: connect USB keyboard and mouse;
	USB signal	HID Signal
UTP	Interface	RJ45
	Transmission distance	CAT6---200m CAT5E---150m

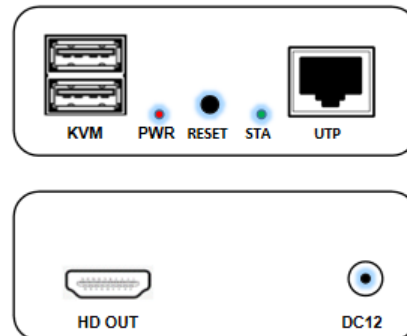
Other	Power supply	The power adapter: DC 12V
	Power dissipation	MAX 5W
	Temperature	Operating: -5°C ~ +70°C
	Humidity	Operating: 5% ~ 90%
	Dimension	121*94*25mm
	The warranty	1 year free warranty

5.Panel

Transmitter:



Receiver:



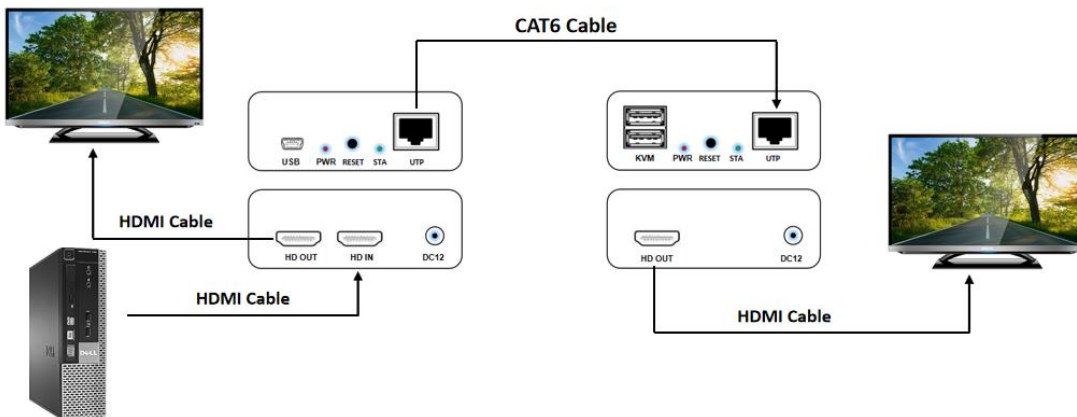
Port name	Description
HD IN/HD OUT	HDMI signal input/output
UTP	RJ45 port connect cat6.
USB	USB cable connect to PC
KVM	connect to keyboard and mouse
RESET	System reset button, press 5 seconds
DC 12V	Power adapter socket
LED indicator	Description
PWR	System power indicator
STA	Video signal indicator.

6.Installation

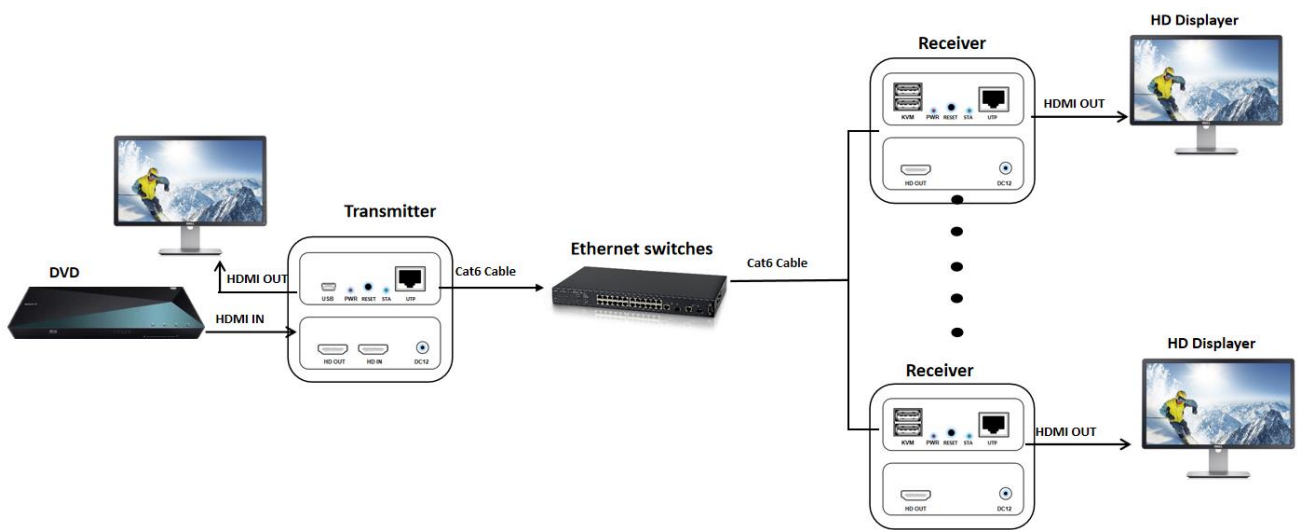
- 1、 Connect the HDMI source to HDMI transmitter;
- 2、 Connect the HDMI receiver to display device (such as high-definition TV, splicing screen, etc.);
- 3、 connect the transmitter USB-B computer, keyboard mouse receiver USB connection;
- 4、 Using CAT5e/6 types of cables connects the transmitter and the receiver network interfaces;
- 5、 Configuration infrared to control function: connect the infrared receiving line extension of the receiver, the sender of infrared emission line access extender, and aim the infrared emission lines need to control device of the infrared receiving;
- 6、 The transmitter and the receiver connected to the power, when the lamp lights up normally, normal operation of system.

7.Diagram

One to one application



one to many application



8.Warranty

Please keep the user manual in a place where safety and easy to find so that you can read it immediately when meet problems.

safety instruction:

- Please do not disassemble this product by yourself.
- Please don't make the product touch water in case damaged, because it is Not waterproof design.
- Please use dry cloth material when clean the product surface.
- Please avoid contact with corrosive substances.
- When there is damage or other physical damage to the product, please stop using and contact with customer service to get support.