

DP KVM切换器2进1出

特别提示

在使用本产品之前, 请务必先仔细阅读本产品使用说明书。
请务必妥善保管好本书, 以便日后能随时查阅。
请在充分理解内容的基础上, 正确使用。
本公司保留对产品进行更改的权利, 由于技术更新产品参数变化恕不另行通知。

概述

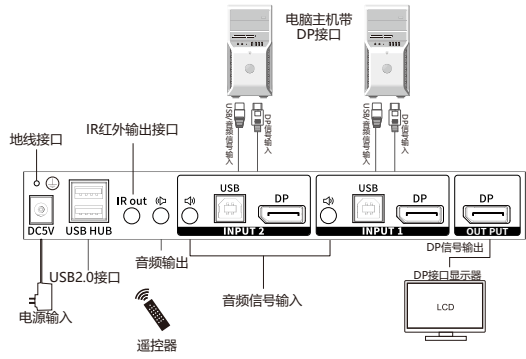
这款DP KVM二进一出切换器可以实现2台电脑主机主屏与副屏在二台显示器上显示与操作, 并支持共享键盘鼠标、打印机、U盘等USB设备, 支持自适应EDID显示, HDMI支持HDMI2.0、HDCP2.2、DP接口支持DP1.2协议, 传输分辨率可支持高达3840x2160P@60P、它具有优良的图像处理、兼容能力, 使信号传输更加稳定, 可广泛应用于视频会议、多媒体教学、证券金融、办公等待领域。

产品特点

- 支持Windows、Mac、Linux、Android等多系统使用,
- 支持USB2.0与USB1.1设备使用,
- 支持 DisplayPort1.2协议 参数标准,
- 支持输入与输出分辨率高达3840*2160@60Hz YUV4:4:4,
- 支持USB接口插入自动识别、自动扫描、电脑睡眠唤醒等功能,
- 无需安装驱动, 即插即用, 使用方便快捷, 支持兼容市面上大多数的无线、机械、游戏等键盘鼠标,
- 可通过键盘热键、鼠标、面板按键、红外遥控、RS232串口等多种方式进行信号源输入通道的切换,
- 内部具有ESD保护功能, 可支持热插拔,

(以产品实物为准)

连接示意图

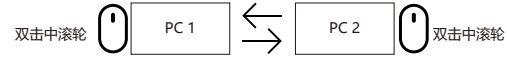


切换方式

- 第一种切换方式：按键切换
按面板上面的按钮可切换到对应的主机。
- 第二种切换方式：遥控器切换
直接用遥控器对准KVM切换器面板可切换到对应的电脑主机

● 第三种切换方式：鼠标切换

KVM鼠标切换方式：双击鼠标中间滚轮+右键往右进行循环切换，
双击鼠标中间滚轮+左键往左进行循环切换，操作时间2.5秒内切换完成，如下图：
(操作时间2.5秒内完成)



● 第四种切换方式：键盘热键切换

附表:键盘热键功能表

支持5种热键组合: R'Ctrl/L'Ctrl/Scroll lock/Num lock/Caps lock 默认为: R'Ctrl热键模式 注:如R'Ctrl热键模式更改为5种热键模式中的任意一种后, 操作时R'Ctrl键就需要更改为当前的热键组合模式	
双击R'Ctrl+1-2+Enter	切换至输入通道1-2
双击R'Ctrl+B+Enter	蜂鸣器开启与关闭
双击R'Ctrl+T+Enter	通道输入上电识别功能开启与关闭
双击R'Ctrl+M+Enter	鼠标切换功能开启与关闭
双击R'Ctrl+R+Enter	复位功能开启
双击R'Ctrl+S+Enter	输入通道循环切换功能开启与关闭
双击R'Ctrl+S+2-999+Enter	输入通道循环切换功能时间设定

● 第五种切换方式：RS232串口通讯切换

附表: RS232通讯代码、波特率

串口设定	115200bps,8位数据, 1位停止位, 检验码: None,十六进制,
输入1	0x30 0x30 0x30 0x0a 0x0d
输入2	0x30 0x30 0x31 0x0a 0x0d

性能参数

输入、输出支持分辨率	3840x2160P@60Hz/30Hz、2560x1440P@144Hz/120Hz/60Hz、1920x1080P@60Hz/1280x720P@60Hz等,
DP协议版本	DisplayPort1.2协议
DP最大传输速率	21.6Gbit/s
USB协议	USB2.0、1.1、1.0
最大工作电压、电流	5V/800mA
工作温度范围	-10 to +60°C
工作湿度范围	5 to 90%RH (无冷凝)
电源适配器规格	AC 100V-240V 50-60Hz输入, DC5V/1A输出
产品材质	铁壳
产品尺寸	200x65x28(mm)
产品重量	450g

配件清单

序号	名称	数量
1	KVM切换器	1
2	遥控器	1
3	DC5V/1A电源	1
4	说明书	1
5	保修卡	1
6	红外接收延长线	1
7	USB线	2
8	DP线 1.8米	2

安全使用须知

为确保设备可靠使用及人员的安全, 请在安装、使用和维护时, 请遵守以下事项:

- 请勿在下列场所使用本产品: 有灰尘、油烟、导电性尘埃、腐蚀性气体、可燃性气体的场所; 暴露于高温、结露、风雨的场合; 有振动、冲击的场合。电击、火灾、误操作也会导致产品损坏和恶化;
- 避免带电状态进行接线、插拔电缆插头, 否则容易导致电击, 或导致电路损坏;
- 安装和接线必须牢固可靠, 接触不良可能导致误操作;
- 本产品通过电源线的接地导线接地, 为避免电击, 必须将接地导线与大地相连, 在对本产品的输入端或输出端进行连接之前, 请务必将本产品正确接地;
- 必须将外部电源全部切断后, 才能进行安装、接线等操作, 否则可能引起触电或设备损坏;
- 在下列情况下, 请立即断开电源, 并与公司联系:
 1. 设备进水;
 2. 设备摔坏或机壳破裂;
 3. 设备工作异常或展示的性能已完全改变;
 4. 设备产生气味、烟雾或噪音。
- 请不要自己修理设备, 除手册中有明确指示外。

DP KVM switch 2 in 1 out

Special Note

Before using this product, please read this instruction manual carefully.
Please keep this book in a safe place so that you can refer to it at any time in the future.
Please use it correctly after fully understanding the content.
The company reserves the right to make changes to the product. Due to technical updates, product parameters are subject to change without notice.

Overview

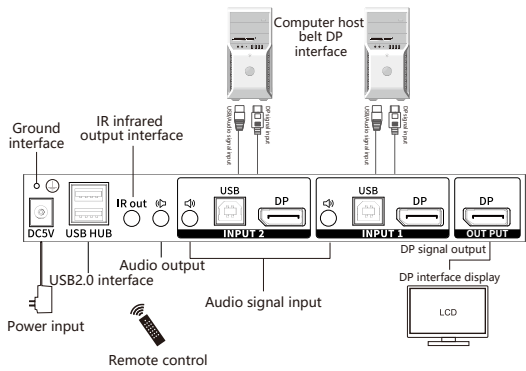
This DP KVM two-in-one-out switch supports the simultaneous use of both HDMI and DP interfaces, which can realize the display and operation of two main computer main screens and sub screens on one monitor, and the resolution can support up to 3840x2160P@60P.

Features

- Support multi-system use such as Windows, Mac, Linux, Android, etc.,
- Support the use of USB2.0 and USB1.1 devices,
- Support DisplayPort1.2 protocol parameter standard,
- Support input and output resolution up to 3840*2160@60Hz YUV4:4:4,
- Support USB port plug-in automatic identification detection, automatic scanning, computer sleep wake-up and other functions,

(Subject to the actual product)

Connection diagram



Switching method

- The first switching method: key switch
Press the button on the panel to switch to the corresponding host.
- The second switching method: remote control switching
Point the remote control directly at the KVM switch panel to switch to the corresponding computer host

● The third switching method: Mouse switch

KVM mouse switching method: double-click the middle wheel of the mouse + right button to switch to the right. Double-click the middle wheel of the mouse + the left button to switch to the left. The switch is completed within 2.5 seconds of operation, as shown in the figure below:



● The fourth switching method: keyboard hotkey switching

Attached table: keyboard hotkey function table

Support 5 hotkey combinations: R'Ctrl/L'Ctrl/Scroll lock/Num lock/Caps lock. The default is: R'Ctrl hotkey mode>Note: If the R'Ctrl hotkey mode is changed to any of the 5 hotkey modes, the R'Ctrl key needs to be changed to the current hotkey combination mode during operation	
Double click R'Ctrl+1~4+Enter	Switch to input channel 1~4
Double click R'Ctrl+B+Enter	Buzzer on and off
Double click R'Ctrl+T+Enter	Channel input power-on recognition function on and off
Double click R'Ctrl+M+Enter	Mouse switch function on and off
Double click R'Ctrl+R+Enter	Reset function is on
Double click R'Ctrl+S+Enter	Input channel cycle switching function on and off
Double click R'Ctrl+S+2-999+Enter	Input channel cycle switching function time setting

● The fifth switching method: RS232 serial communication switching

Attached table: RS232 communication code, baud rate:

Serial port settings	115200bps, 8 bits of data, 1 stop bit, check code: None, hexadecimal,
Enter 1	0x30 0x30 0x30 0x0a 0x0d
Enter 2	0x30 0x30 0x31 0x0a 0x0d

Performance parameter

Input and output support resolution	3840x2160P@60Hz/30Hz, 2560x1440P@144Hz/120Hz/60Hz, 1920x1080P@60Hz/1280x720P@60Hz, etc.,
DP protocol version	DisplayPort1.2 protocol
DP maximum transmission rate	21.6Gbit/s
USB protocol	USB2.0, 1.1, 1.0
Maximum working voltage and current	5V/800mA
Range of working temperature	-10 to +60°C
Range of working humidity	5 to 90%RH (non-condensing)
Power adapter specifications	AC 100V-240V 50-60Hz input, DC5V/1A output
Product material	Iron shell
Product Size	200x65x28(mm)
Product weight	450g

Parts List

Serial number	name	quantity
1	KVM switch	1
2	remote control	1
3	DC5V/1A power supply	1
4	manual	1
5	Warranty Card	1
6	Infrared receiver extension cable	1
7	USB Wire	2
8	DP cable 1.8m	2

Safety instructions

In order to ensure the reliable use of equipment and the safety of personnel, please install, use and maintain Please observe the following:

- Do not use this product in the following places: dust, oily smoke, conductive dust, corrosive Places with gas, flammable gas; Places exposed to high temperature, condensation, wind and rain; Vibration, Impact occasions.
- Electric shock, fire, and misoperation can also cause product damage and deterioration;
- Avoid wiring, plugging and unplugging the cable plug in a live state, otherwise it is easy to cause electric shock. Or cause circuit damage;
- Installation and wiring must be firm and reliable, poor contact may cause misoperation;
- This product is grounded through the grounding wire of the power cord. To avoid electric shock, the grounding wire must be Connect to the ground. Before connecting the input or output of this product, be sure to connect the The product is properly grounded;
- The external power supply must be cut off before installation, wiring and other operations can be carried out, otherwise Can cause electric shock or equipment damage;
- In the following cases, please disconnect the power immediately and contact the company:
 1. Water in the equipment;
 2. The equipment is broken or the casing is broken;
 3. The equipment works abnormally or the displayed performance has been completely changed;
 4. The equipment produces odor, smoke or noise.
- Please do not repair the equipment by yourself, except for clear instructions in the manual.