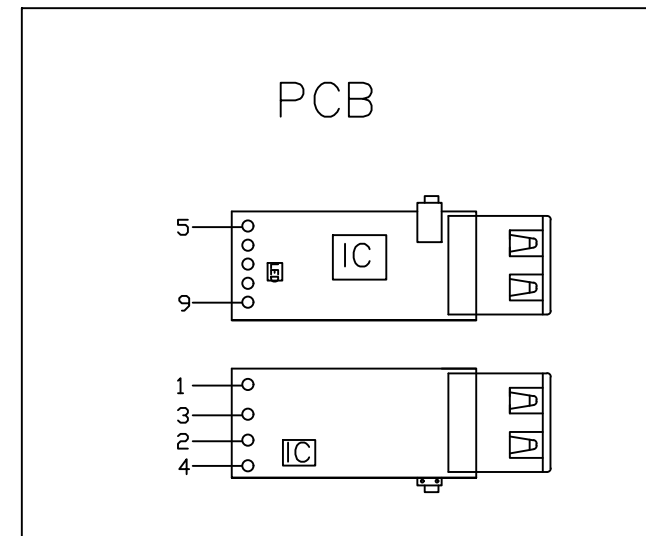
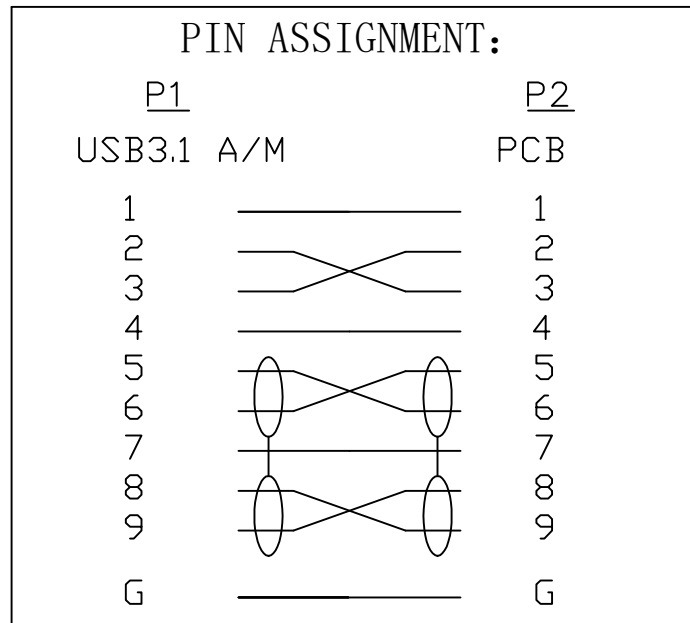


NOTES:

- 1.100% OPEN & SHORT TESTING
- 2.VOLTAGE:300V DC
- 3.INSULATION RESISTANCE:20M ohm
- 4.CONTACT RESISTANCE:1 ohm



7		
6		
5		Molded PCV45Pa BLACK
4		Molded PE
3		USB3.1 AF + PCB + IC
2		USB3.1 AM
1		USB3.0 CABLE (7/0.18T*1P+D+AL+MYLAR)*2C+7/0.127T*1P+7/0.254T*2C+F+ADB16/8/0.12AL OD: 7.0MM BLACK
NO.	Material	Description

Dagan Multimedia LTD

Title: **USB3.1 AM - AF EXTENSION CABLE**

Customer: Dagan Multimedia LTD

Customer P/N: CABLE-1135-5

Date: 2020.07.30

Drawing NO.:

Page: 1/1	Drawn BY: CLR
REV: A	Check BY: DYH
Unit: mm	Appd BY: