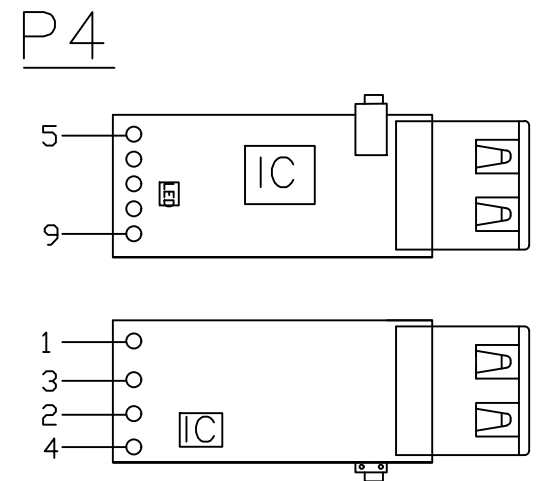
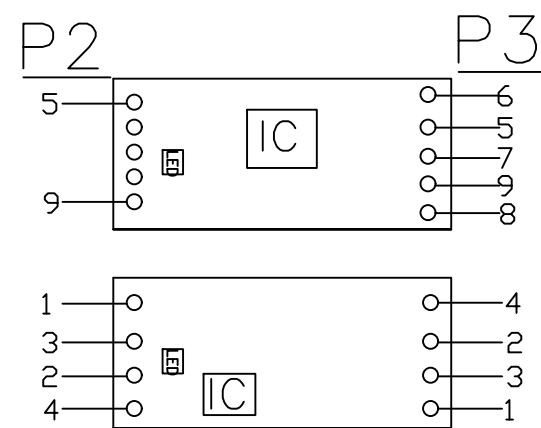
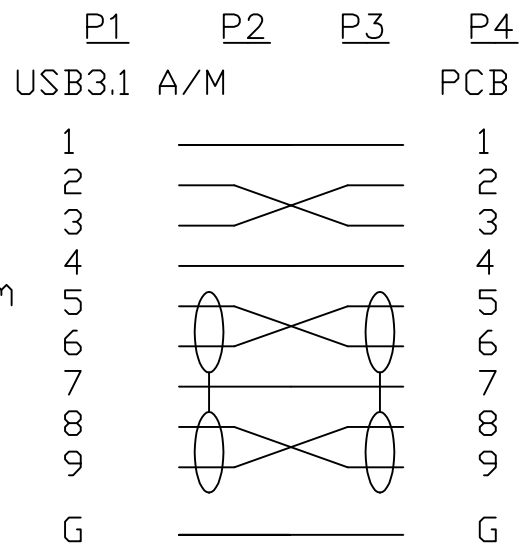


PIN ASSIGNMENT:



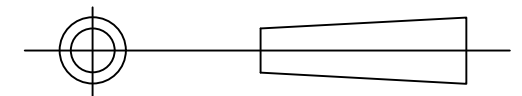
NOTES:

- 1.100% OPEN & SHORT TESTING
- 2.VOLTAGE:300V DC
- 3.INSULATION RESISTANCE:20M ohm
- 4.CONTACT RESISTANCE:1 ohm

7		
6		Molded PCV45Pa BLACK
5		Molded PE
4		PCB+IC
3		USB3.1 AF + PCB + IC
2		USB3.1 AM
1		USB3.0 CABLE (7/0.18T*1P+D+AL+MYLAR)*2C+7/0.127T*1P+7/0.254T*2C+F+ADB16/8/0.12AL OD: 7.0MM BLACK
NO.	Material	Description

Dagan Multimedia LTD

Title:
USB3.1 AM - AF EXTENSION CABLE



Customer: Dagan Multimedia LTD

Page:1/1

Drawn BY:CLR

Customer P/N: CABLE-1135-15

REV:A

Check BY:DYH

Date:2020.07.30

Drawing NO.:

Unit:mm

Appd BY: