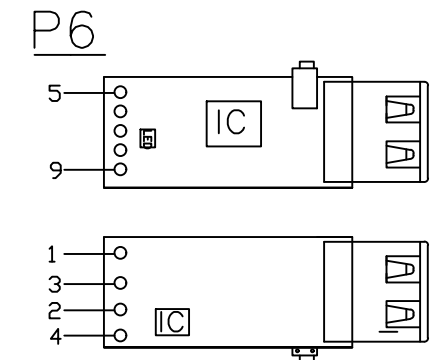
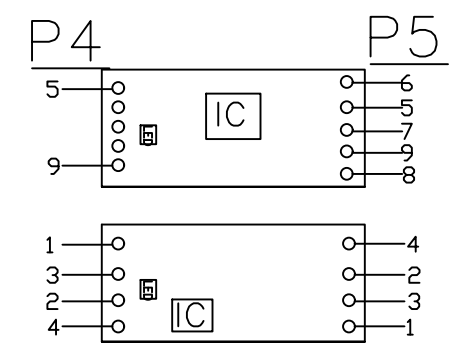
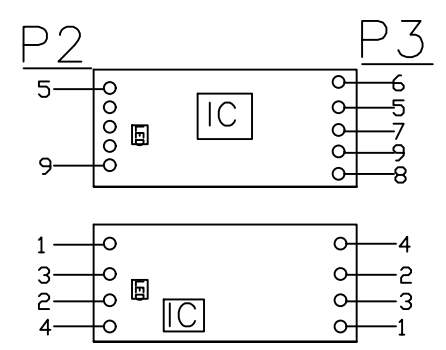
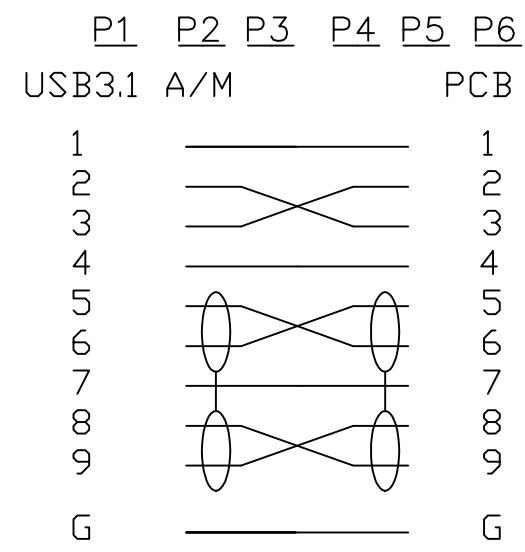


PIN ASSIGNMENT:



- NOTES:**
- 100% OPEN & SHORT TESTING
 - VOLTAGE: 300V DC
 - INSULATION RESISTANCE: 20M ohm
 - CONTACT RESISTANCE: 1 ohm

6		Molded PCV45Pa BLACK
5		Molded PE
4		PCB+IC
3		USB3.1 AF + PCB + IC
2		USB3.1 AM
1		USB3.0 CABLE (7/0.18T*1P+D+AL+MYLAR)*2C+7/0.127T*1P+7/0.254T*2C+F+ADB16/8/0.12AL OD: 7.0MM BLACK
NO.	Material	Description

Dagan Multimedia LTD

Title: USB3.1 AM - AF EXTENSION CABLE			
Customer: Dagan Multimedia LTD		Page: 1/1	Drawn BY: CLR
Customer P/N: CABLE-1135-20		REV: A	Check BY: DYH
Date: 2020.07.30	Drawing NO.:	Unit: mm	Appd BY: