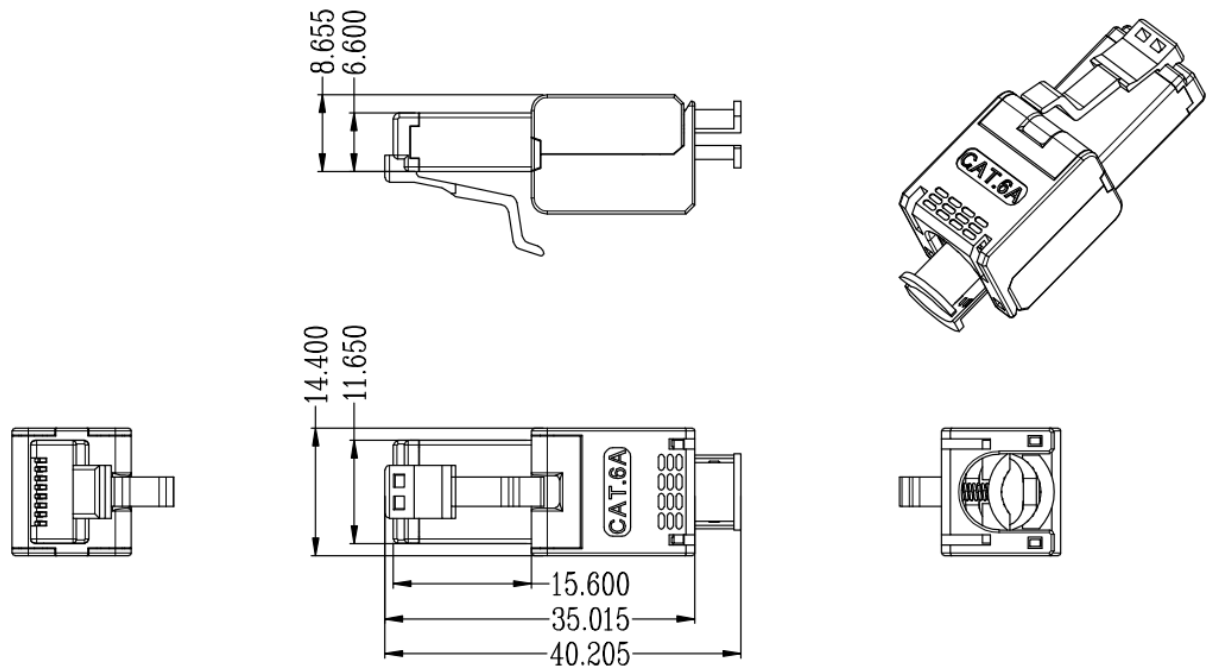


ISDN-1128



Product: TOOLLESS FTP CAT6A RJ45 PLUG MALE

Materials: PC, Nickel Plated Alloy, Phosphorus Copper

Features:

Category: Cat5e / Cat6 / Cat6a / Cat7 / Cat8

PoE / PoE+ Support

Wire Gauge: 22AWG-26AWG

Gold Plating: 3u

Electrical:

Insulation Resistance: 500M Ω 100V/DC/1 Min

Contract Resistance: $\leq 20\text{m}\Omega$

Current Rating: 1.5 Amps

DC/AC Volt Endurance: 1000V/ AC 750V 1 Min

Mechanical:

Plug Insertion Life ≥ 750 times

Durability ≥ 20 termination cycles

Plug Insertion Force $\leq 20\text{N}$

Environmental:

Operating Temperature: $-20^{\circ}\text{C} \sim 75^{\circ}\text{C}$

Storage Temperature: $-40^{\circ}\text{C} \sim 75^{\circ}\text{C}$

Standards:

ANSI/TIA568.2-D, YD/T 926.3-2008, ISO/IEC11801, IEEE 802.3at