



CBL5951HQ – HDMI 2.1 AOC

# HDMI 2.1 AOC

---





# CBL5951HQ – HDMI 2.1 AOC

## Contents

1	DESCRIPTION .....	3
2	FEATURE .....	3
3	SPECIFICATION .....	4
4	PART NUMBER .....	5
5	APPLICATION .....	6
6	FIBERSPECIFICATION .....	7
7	CABLE DIMENSION .....	8



## CBL5951HQ – HDMI 2.1 AOC

# 1 Description

CBL5951HQ product is a HDMI2.1 active optical cable (AOC) with high bandwidth, low power consumption and low cost. Using optical fiber to replace copper wire as the high-speed signal transmission medium, CBL5951HQ can perfectly transmit 8k UHD image up to 200 meters. Compared with the traditional copper wire, CBL5951HQ AOC is much longer, softer, slimmer, with better signal quality and perfect EMI/EMC feature. Compared with other HDMI optical fiber transmission solution, CBL5951HQ AOC is easy to use, has perfect compatibility, and no external power supply needed.

# 2 Feature

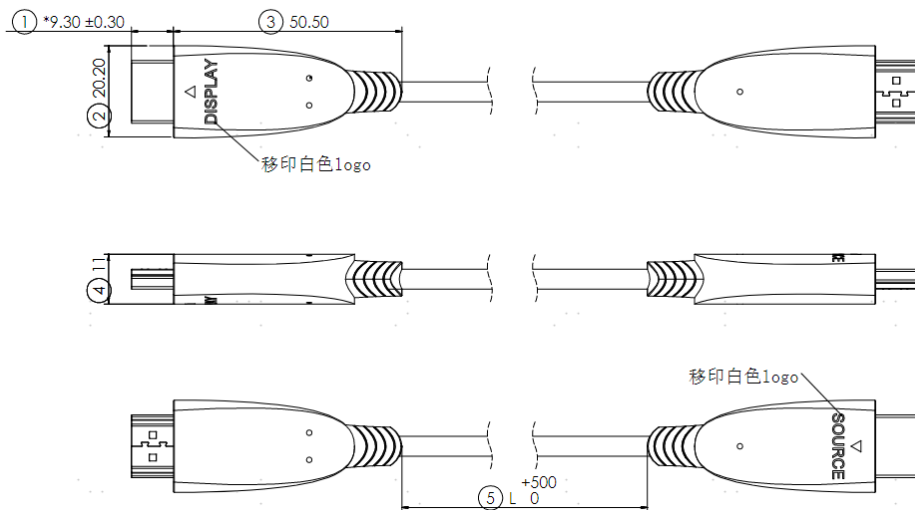
- 1) Long distance transmission, up to 200 meters
- 2) HDMI2.1 standard, support up to 8k UHD display
- 3) Support HDCP2.2/2.3
- 4) Support eARC & CEC (Max: 20m)
- 5) Not support Ethernet
- 6) Plug and play without driver dependent
- 7) Thinner, lighter and softer than conventional copper cable
- 8) Highly resistant to EMI and RFI
- 9) No external power needed



# CBL5951HQ – HDMI 2.1 AOC

## 3 Specification

<b>Cable Length</b>	
Up to 200m	
<b>Interface</b>	
HDMI type A plug - HDMI type A plug	
<b>Bandwidth</b>	
HDMI 2.1, 48Gbps, support 8k UHD display	
<b>Power</b>	
No external power needed	
<b>Power Consumption</b>	
<250mW	
<b>Mechanical / Condition</b>	
Cable diameter	4.4mm
Bend Radius (Dynamic/Static)	40mm/20mm
Tensile Strength (Long term/Short term)	100N/200N
Crush Resistance (Long term/Short term)	200N/400N
Operating / Storage Temp	0~50°C / -20~70°C





## CBL5951HQ – HDMI 2.1 AOC

### 4 Part Number

Part Number	Description
CBL5951HQ-XX	HDMI 2.1 AOC, Type A male to male, Injection Mold, X=X meter, for example 20 =20 meter

### 5 Application

- 1) Home Theater
- 2) High definition Video Meeting System
- 3) Medical Video System
- 4) High definition Video Surveillance System
- 5) Digital Signage and TV Wall



# CBL5951HQ – HDMI 2.1 AOC

Home Theater



HD video conference



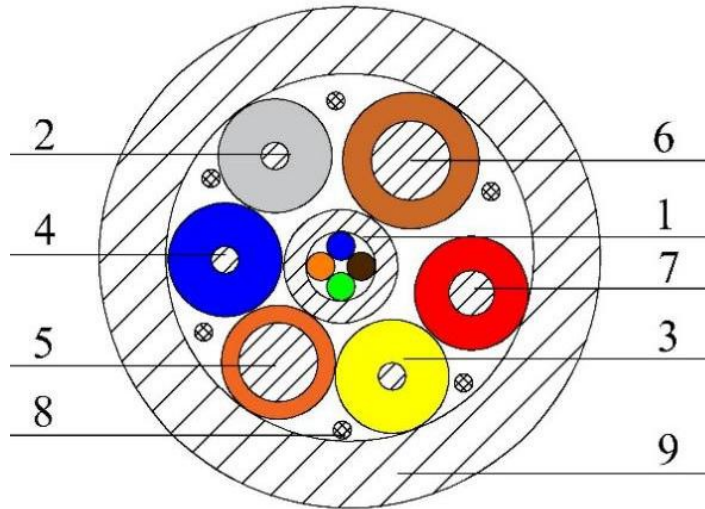
Outdoor large screen display system



Medical, military image system



# 6 Fiber Specification



Item	Contents	Value	Supplement
1、 Sub cable	Tight Buffer Fibers	OM3 250 um Fiber	4 cores (Blue、 Orange、 Green、 Brown)
	Sub sheath	White LSZH	PVC, OD 0.95±0.05mm ; Sub cable Jacket Thickness 0.15mm
2、 CEC wire	32AWG	7*0.08 twisted wires	OD=1.0mm, Gray
3、 SCL wire	32AWG	7*0.08 twisted wires	OD=1.0mm, Yellow
4、 SDA wire	32AWG	7*0.08 twisted wires	OD=1.0mm, Blue
5、 VCM wire	23AWG	15*0.15 twisted wires	OD=1.0mm, Orange
6、 GND wire	23AWG	15*0.15 twisted wires	OD=1.2mm, Brown
7、 Vbus	28AWG	7*0.127 twisted wires	OD=1.0mm, Red
8、 Kevlar	/	6*1000D	/
9、 Outer Jacket	Black PVC	Thickness 0.60±0.15mm	OD 4.4±0.20mm