



DP DUAL HEAD 2 PORT KVM SWITCH

P/N: KVMDP43DH-2

1. Features

- 2 ports KVM switch DP, 2CH DP and USB HID signals synchronize switch.
- Support DP1.2.
- Support USB 2.0 protocol.
- Support DP dual display (this function is only available on computers that support dual display).
- Support video resolution max up to 3840*2160@60Hz.
- Adaptive EDID, able to adapt to a variety of complex application environment.
- Built-in automatic adjustment system, make the image smooth, clear and stable.
- Simple to install, plug and play.

2. Package list

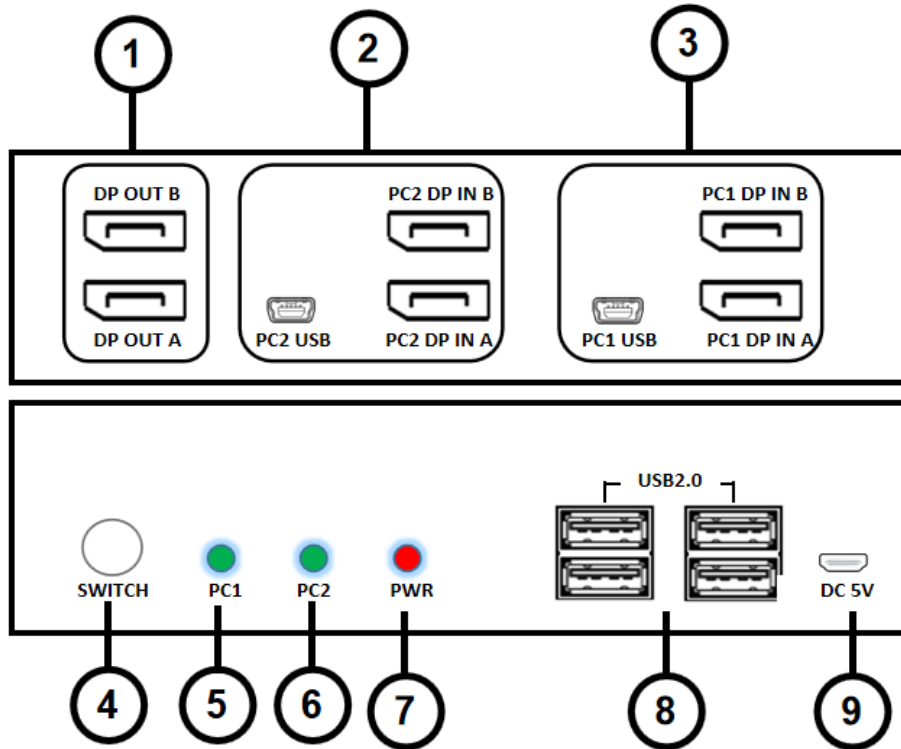
DP KVM 2*1 Switcher Host	1 Pc
MINI USB Cable	2 Pcs
DP Cable	4 Pcs
Micro USB Cable	1 Pc
User Manual	1 Pc
Foot Pad	4 Pcs



3. Specifications

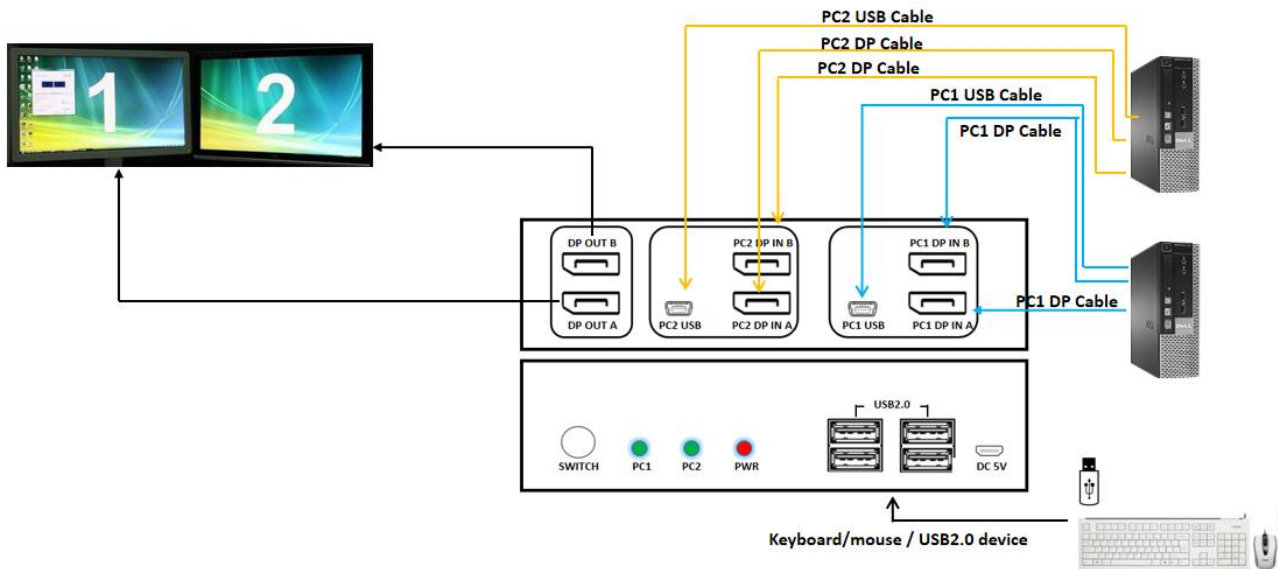
Parameter		Description
Video	Standards	DP1.2
	Maximum pixel clock	340MHz
	Maximum data rate	18Gbps
	Maximum resolution	3840*2160@60Hz, Backward compatible
	Connector	DP Interface
	Impedance	100Ω
	DP Cable Range	<5M(Resolution: 1920*1080@60Hz)
USB	Interface protocols	USB2.0(4pcs)
	PC input interface type	MINI USB
	Output interface type	USB-A
Other	Power supply	5V power supply
	Power dissipation	MAX 3.5W
	Temperature	Operating: -5°C ~ +70°C
	Humidity	Operating: 5% ~ 90%
	Dimension	113*62*30mm
	The warranty	1 year free warranty

4. Panel



Port name	Description
1	DP video output signal
2	PC2 group DP USB input
3	PC1 group DP USB input
4	PC1, PC2 switch buttons
5、 6	PC1, PC2 status indicators
7	Power indicators
8	Keyboard & Mouse、 USB2.0 device input
9	5V power supply input port

5. Diagram



6. Connection steps

- 1) Connect the micro USB charging cord before your input device and the KVM.
- 2) Using 2 DP cables and 1 MINI USB cable connect “input device 1” and the KVM input port.
- 3) Using 2 DP cables and 1 MINI USB cable connect “input device 2” and the KVM input port.
- 4) Using 2 DP cables connect the KVM output port and the 2 monitors.
- 5) Connect keyboard and mouse to USB2.0 port on the KVM.